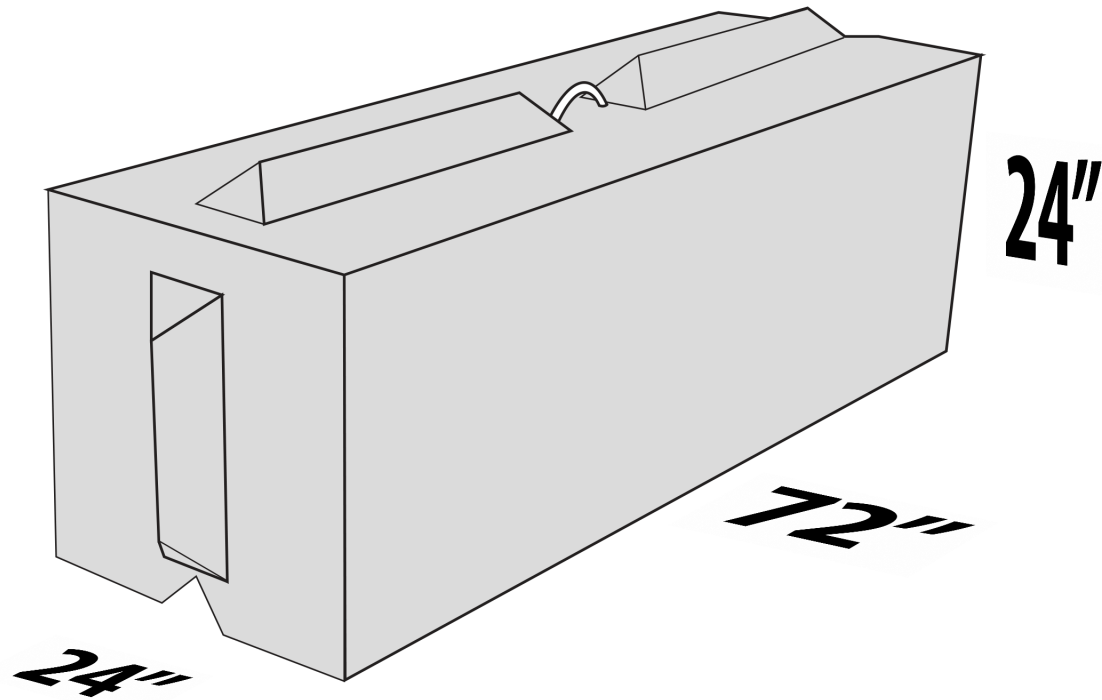


6' Bin Block

Material: Concrete
#6 Grade 60 Rebar
Lifting Hook

Material Notes: Concrete minimum
6000 PSI @ 28 Days

Notes: Unit weighs 3,700 Pounds



ENVIRONMENTAL
PRECAST

Environmental Precast
PO BOX 328
Laurel, MD 20725
Phone # 301-821-6425

The information herein is the property
of Environmental Precast LLC. Without
written permission, any copying, trans-
mittal to others, and any use except that
for which it is loaned is prohibited.